



W54 series

Push To Reset Only Thermal Circuit Breaker



Features

- New design.
- 5 to 40 amp ratings.
- Cannot be manually tripped.
- Button extends for visual trip indication.
- Push button to reset breaker.
- Numerous mounting and termination options.
- Choice of silver-cadmium oxide or silver-tin oxide contacts.

Agency Approvals

W54 series (except 35A and 40A models) is UL 1077 Recognized as Supplementary Protectors, File E69543, for Canada and the United States. Approved to VDE 0642/EN60934 (Circuit Breakers for Equipment) License Number 40007877 (excludes models rated >20A, models with screw terminals, models with silver-tin oxide contacts). CCC mark compliant, certificate 2004010307123217.

Users should thoroughly review the technical data before selecting a product part number. It is recommended that users also seek out the pertinent approvals files of the agencies/laboratories and review them to ensure the product meets the

Interrupt Capacity: 1,000 amps in accordance with UL standard 1077.
Resettable Overload Capacity: Ten times rated current.
Reset Time: 60 seconds.

Typical Resistance vs. Current Rating @25°C

Current Rating in Amps	Typical Resistance in Ohms	Current Rating in Amps	Typical Resistance in Ohms
5.0	0.050	15.0	0.017
6.0	0.042	20.0	0.012
7.0	0.036	25.0	0.010
8.0	0.031	30.0	0.008
10.0	0.025	35.0	0.007
12.0	0.021	40.0	0.006

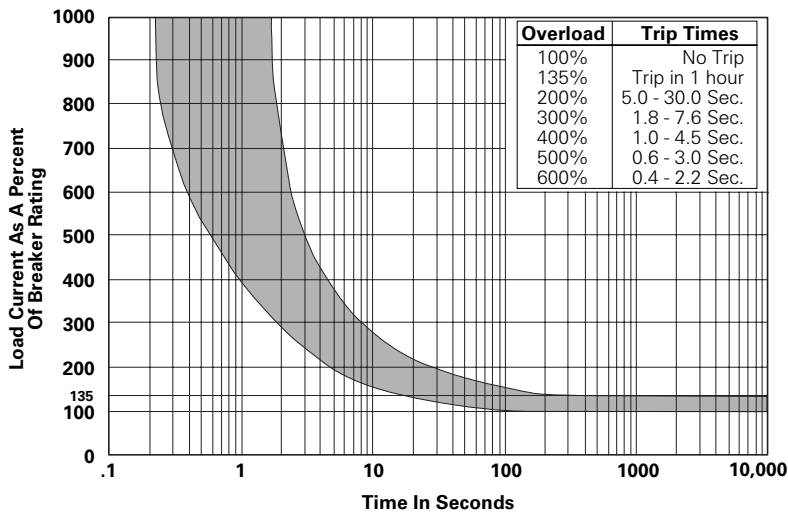
Electrical Data @ 25°C

- Calibration:** Will continuously carry 100% of rating.
May trip between 101% and 134%, but must trip at 135% of rating within one hour at +25°C.
- Dielectric Strength:** 1,500VAC (60 seconds).
- Insulation Resistance:** 100 megohms.
- Maximum Operating Voltages:** 50VDC; 250VAC .

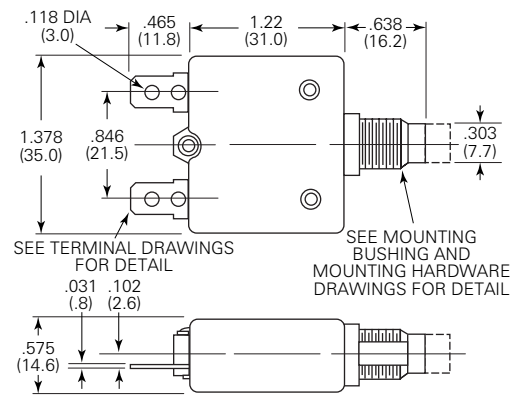
Mechanical/Environmental Data

- Operating Temperature Range:** 0°C to +60°C.
- Termination:** .250" (6.35mm) quick connects or #8-32 screws.
- Mounting:** Various options. See Ordering Information and drawings.
- Approximate Weight:** 0.9 oz. (25.0g).

Time vs. Current Trip Curve @ +25°C

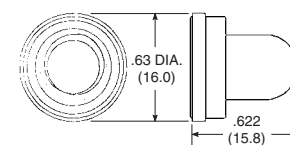


Outline Dimensions

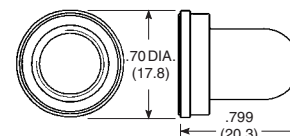


Optional Protective Boot

Silicone rubber boot is bonded to integral aluminum nut.



1-1423696-5
Black boot for W54 with 3/8"-24 bushing.



1-1423696-7
Clear boot for W54 with 3/8"-24 bushing.

1-1423696-4
Black boot for W54 with M11 X 1.0 bushing.

1-1423696-6
Clear boot for W54 with M11 X 1.0 bushing.

Ambient Compensation Table

Ambient Temperature in °C	Rating Correction Factor	
	4-8A Models	9-30A Models
10	.90	.80
20	.98	.90
25	1.00	1.00
30	1.10	1.05
40	1.25	1.15
50	1.61	1.31
60	2.00	1.55

To use this chart: Divide the breaker rating by the correction factor to determine the compensated rating. Calculate the overloads in terms of the compensated rating to use the published trip curve. Do not use these devices outside their specified operating temperature ranges.

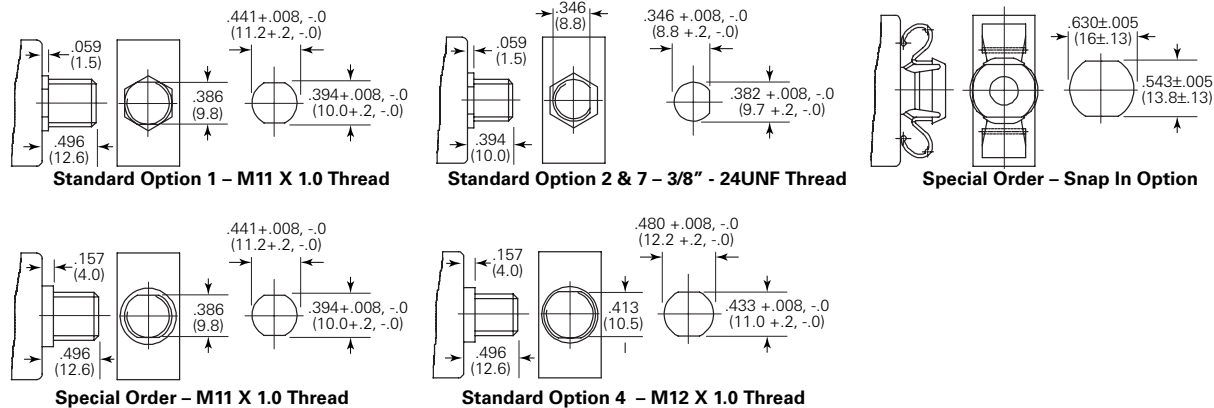
Ordering Information

Typical Part No. ▶	W	54	-X	B	1	A	4	A	1	0	-5
1. Designator: W = Circuit breaker											
2. Series Number: 54 = Single pole, push-to-reset, thermal model											
3. Circuit Function & Contact Material: X = Series trip, silver-cadmium oxide contacts F = Series trip, silver-tin oxide contacts †	†Not VDE										
4. Button: A = White, plain, no rate marking C = White with black rate marking (vertical) B = White with red rate marking (vertical)											
5. Mounting Bushing: 1 = 9.8mm x 12.6mm long, metal 4 = 10.8mm x 12.6mm long, metal 2 = 3/8" (one side flat) x 10mm long, metal 7 = 3/8" (one side flat) x 10mm long, plastic											
6. Terminals: A = Quick connect .250" (6.35mm) straight C = #8-32 screw 90° (screws installed) †	†Not VDE										
7. Mounting Hardware: 4 = Metal knurled nut/hex nut 5 = Plastic knurled nut 12 = Metal knurled nut 99 = None											
8. Mounting Hardware Packaging: A = Assembled to bushing B = Bulk unassembled C = No mounting hardware											
9. Maximum AC Operating Voltage: 1 = 250VAC											
10. Nameplate: 0 = None											
11. Specify Amp Rating:	5	7	10	15	25†	35*†					
	6	8	12	20	30†	40*†	*Not UL	†Not VDE			

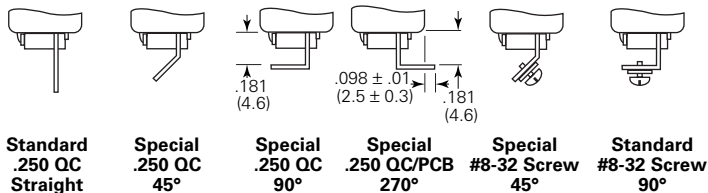
Our authorized distributors are more likely to stock the following items for immediate delivery.

- W54-XB1A4A10-5 W54-XB1A4A10-15 W54-XB1A4A10-25
- W54-XB1A4A10-10 W54-XB1A4A10-20 W54-XB1A4A10-30

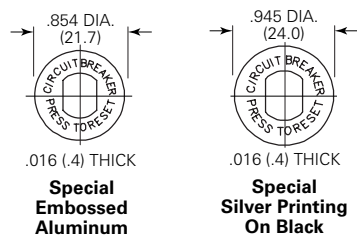
Mounting Bushings and Recommended Panel Cutouts



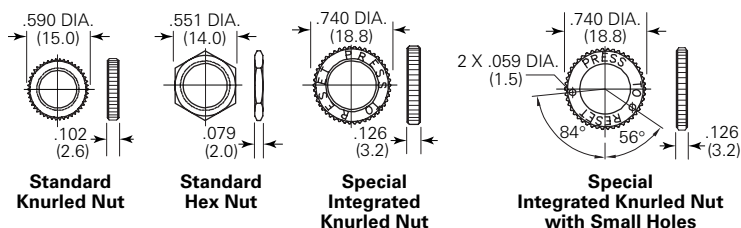
Termination Options



Optional Nameplates



Mounting Hardware Options



ORDERING NOTE:

Many options illustrated here are not listed in the "Ordering Information" chart above. Options denoted by "Special" or "Special Order" in their descriptions are only offered on a special order basis. Additionally, mounting hardware can be ordered separately. These options are subject to extended leadtimes and significant minimum order quantities. Your Tyco Electronics sales engineer must consult with the factory before providing price and availability information regarding these options.